

Reasoning Mega Quiz for SSC CHSL (Solutions)

S1. Ans.(d)

Sol.

All are perfect square.

Except 876.

$$\sqrt{361} = 19; \sqrt{441} = 21$$

$$\sqrt{784} = 28$$

S2. Ans.(b)

Sol.

2. Harmony

5. Helm

1. Herbivorous

4. Honour

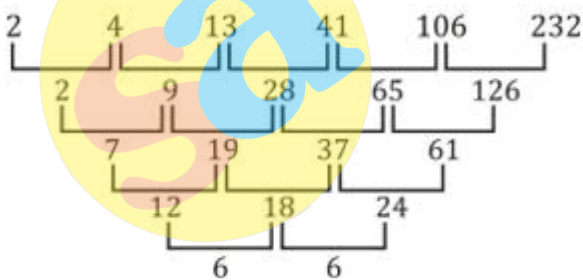
3. House

S3. Ans.(b)

Sol. +2 series

S4. Ans.(d)

Sol.



S5. Ans.(d)

Sol.

Nitin > Bharat > Hitesh > Vicky > Sunny

Height in decreasing order
→

Or,

Nitin > Bharat > Hitesh > Sunny > Vicky

∴ Nitin has the maximum height among them.

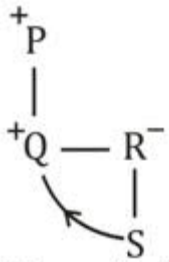
Complete Preparation for
SSC Exams

SSC
EXTREME

Video Courses, Test Series,
eBooks

S6. Ans.(b)

Sol.



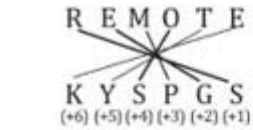
Q is uncle of S

S7. Ans.(c)

Sol. There is no 'l' in the given word.

S8. Ans.(b)

Sol.



S9. Ans.(b)

Sol.

$$\begin{aligned} &12 - 6 + 28 \times 3 \div 9 \\ \Rightarrow &12 \div 6 - 28 + 3 \times 9 \\ \Rightarrow &2 - 28 + 27 \\ \Rightarrow &1 \end{aligned}$$

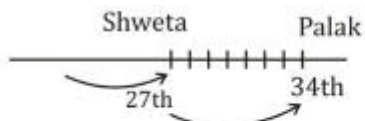
S10. Ans.(b)

Sol.

$$\begin{aligned} 19 - 13 &= 6 \Rightarrow 6^2 = 36 \\ 37 - 28 &= 9 \Rightarrow 9^2 = 81 \\ 43 - 38 &= 5 \Rightarrow 5^2 = 25 \end{aligned}$$

S11. Ans.(b)

Sol.



$$\begin{aligned} \therefore \text{Palak's position from the right end of the row} \\ &= 74 - 34 + 1 = 41 \end{aligned}$$

S12. Ans.(d)

Sol. TALE

S13. Ans.(b)

Sol. Pair of opposite letters

S14. Ans.(d)

Sol.

$6 + 8 \div 4 - 4 = 8$, now interchanging the sign,

$$6 - 8 \div 4 + 4 = 8$$

$$6 - 2 + 4 = 8$$

$$10 - 2 = 8$$

$$8 = 8$$

S15. Ans.(a)

Sol.

$$4 + 9 + 3 = 16 = 4^2$$

$$5 + 3 + 1 = 9 = 3^2$$

$$9 + 9 + 7 = 25 = 5^2$$

S16. Ans.(d)

Sol.

$$(4 + 7) \times (3 + 5) = 88$$

$$(2 + 6) \times (5 + 8) = 104$$

$$(7 + 8) \times (5 + 3) = 120$$

S17. Ans.(c)

Sol. 11 rectangles

S18. Ans.(c)

Sol.



I. ✗

II. ✗

Neither conclusion I nor conclusion II follows.

S19. Ans.(b)

Sol.

Opposite pairs are

A → D

B → E

N → O

∴ option (b) is correct.

6 Months Subscription

SSC CGL TIER-II MAHA PACK

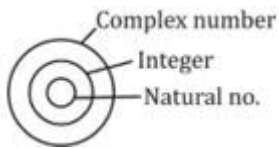
Test Series, Live Classes,
Video Course, Ebooks

Bilingual (With e-Books)

sscadda.com

S20. Ans.(c)

Sol.



S21. Ans.(a)

S22. Ans.(b)

S23. Ans.(d)

S24. Ans.(d)

S25. Ans.(a)

Sol. 00, 78, 13, 67, 23

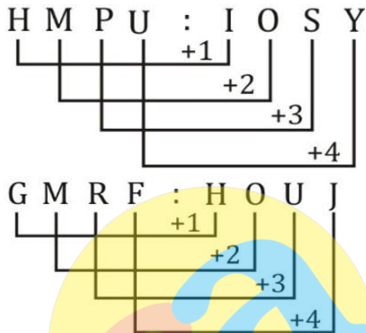
S26. Ans.(b)

Sol.

Vacant → Empty }
Dearth → Scarcity } Synonyms are given

S27. Ans.(b)

Sol.



S28. Ans.(b)

Sol. $7^2 + 1 = 49$

$8^2 + 1 = 65$

$11^2 + 1 = 122$

$12^2 + 1 = 145$

S29. Ans.(c)

Sol. Jupiter is a planet not a black hole.

S30. Ans.(c)

Sol. +6 series, except SZ (+7 series)

SSCadda.com

TEST SERIES

Bilingual



SSC CGL 2019-20

PRIME

400+ TOTAL TESTS

Validity : 12 Months