

Reasoning Sunday Mega Quiz for SSC CGL – (Solutions)

S1. Ans.(c)

Sol. Action leads to Reaction, Stimulus leads to response

S2. Ans.(a)

S3. Ans.(b)

Sol.

Opposite faces are

3 → 6

5 → 2

1 → 4

S4. Ans.(b)

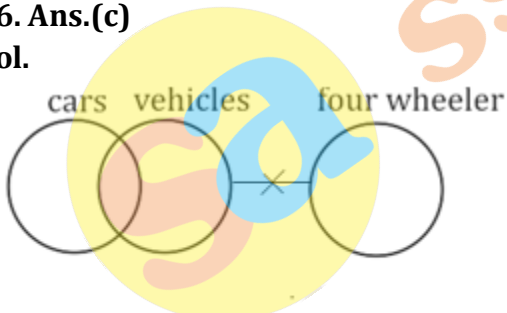
Sol. HNLJ is odd , +3, -2 , +1 pattern

S5. Ans.(a)

Sol. acbdbb/acbdbb/acbdbb

S6. Ans.(c)

Sol.



only conclusion III follows

S7. Ans.(b)

Sol. Pair of opposite letters

S8. Ans.(d)

Sol. Difference of 6 and 8

S9. Ans.(d)

Sol. Bull is an animal, rest are all birds.

12 Months Subscription

SSC CGL

KA MAHA PACK

Live Class, Video Course,
Test Series, e-Books

Bilingual (With e-Books)

S10. Ans.(b)

Sol. There are 18 triangles

S11. Ans.(c)

S12. Ans.(a)

S13. Ans.(d)

Sol. Sun contains heat, fruits contain vitamin.

S14. Ans.(c)

Sol. $\times 2 - 2$, $\times 4 - 2$ pattern

S15. Ans.(b)

Sol.

$$\frac{F-10}{S-10} = \frac{7}{2}$$
$$\Rightarrow 2F - 20 = 7S - 70$$
$$\Rightarrow 2F - 7S = -50 \quad \dots(i)$$

Also,

$$\frac{F+10}{S+10} = \frac{9}{4}$$
$$\Rightarrow 4F + 40 = 9S + 90$$
$$\Rightarrow 4F - 9S = 50 \quad \dots(ii)$$

on solving (i) and (ii)

$$F = 80, S = 30$$

$$F + S = 110$$

S16. Ans.(d)

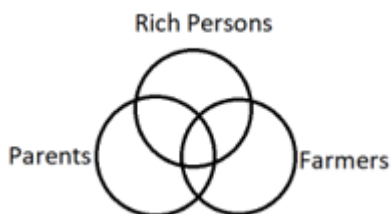
Sol.

$$4 = 4^3 \div 2 = 64 \div 2 = 32$$

$$6 = 6^3 \div 2 = 216 \div 2 = 108$$

S17. Ans.(b)

Sol.

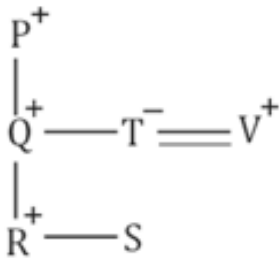


S18. Ans.(a)

Sol. -1 pattern in reverse order.

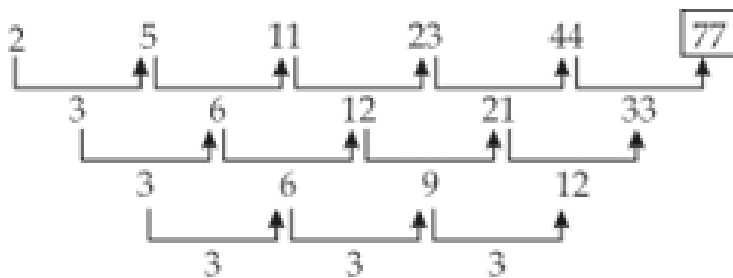
S19. Ans.(d)

Sol.



S20. Ans.(a)

Sol.



S21. Ans.(a)

Sol.

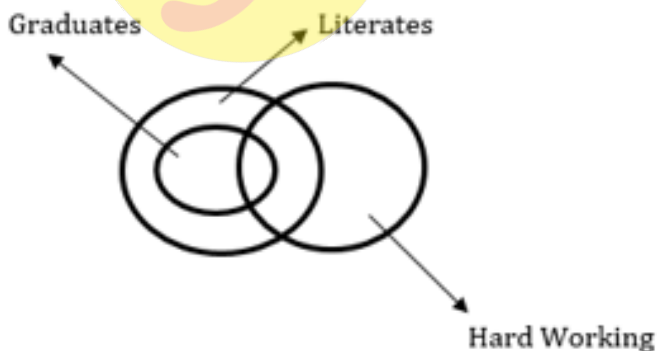
FLOWER = 6 alphabets
so, $6 \times 2 + 2 = 14$

DISTANCE = 8 alphabets
so, $8 \times 2 + 2 = 18$

BUREAUCRAT = 10 alphabets
so, $10 \times 2 + 2 = 22$

S22. Ans.(a)

Sol.

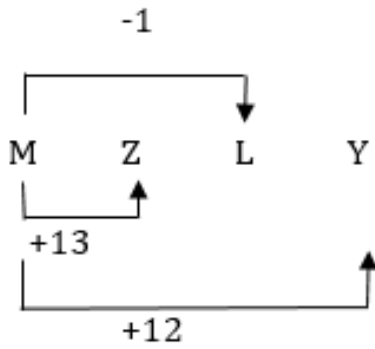


S23. Ans.(c)

Sol. Rest all are consecutive numbers.

S24. Ans.(c)

Sol.



Except (c), are all follow above step.

S25. Ans.(d)

Sol. +2, -2, +2, -2 pattern.

NEW

Live Class

SSC CGL 2019

MOST EXPECTED QUESTION

REVISION BATCH

Starts February 10, 2020

9:30 AM to 2 PM | Bilingual



sscadda.com