

REASONING SUNDAY QUIZ FOR SSC CGL

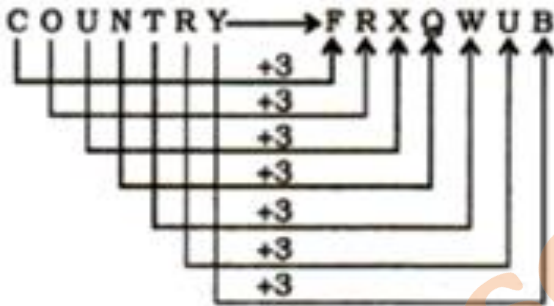
S1. Ans. (c)

Sol.

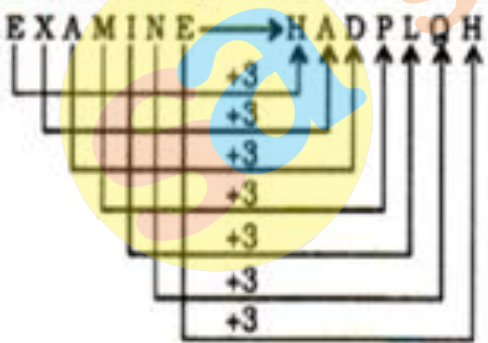
$L \xrightarrow{-2} J \xrightarrow{-2} H \xrightarrow{-2} F$
 $U \xrightarrow{-2} S \xrightarrow{-2} Q \xrightarrow{-2} O$
 $G \xrightarrow{-2} O \xrightarrow{-2} M \xrightarrow{-2} K$
 $V \xrightarrow{-2} T \xrightarrow{-2} R \xrightarrow{-2} P$

S2. Ans. (b)

Sol.



Similarly,



S3. Ans. (b)

Sol. Pattern is Square + 6

S4. Ans. (c)

Sol.

$$3^2 + 2^2 = 13$$

$$\text{Similarly } 6^2 + 5^2 = 61$$

12 Months Subscription

SSC
SUPREME

All SSC Video Courses

S5. Ans. (c)

Sol.

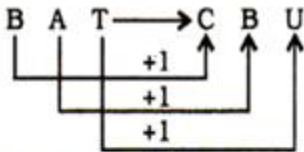
$$7 \times 7 + 7 \\ = 49 + 7 = 56$$

Similarly,

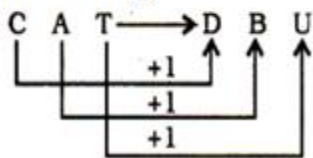
$$9 \times 8 + 9 \\ = 81 + 9 = 90$$

S6. Ans. (a)

Sol.



Similarly,



S7. Ans. (d)

Sol. Red Blood Cells are also called Erythrocytes. Similarly, White Blood Cells are called Leucocytes.

S8. Ans. (c)

Sol. the spacecraft landed on moon was named Chandrayan by the Indian space Research Organisation. Similarly, the spacecraft which landed on Mars in 2014 was named Mangalyan.

S9. Ans. (c)

Sol. Here country-currency relationship has been shown. Deutsche Mark is the currency of Germany. Dirham is the currency of Morocco.

S10. Ans. (c)

Sol. +3,+3,+3,+1,-3,-3,-3 Series

S11. Ans. (b)

Sol. Cobbler uses leather to make shoes. Similarly, carpenter uses wood to make furniture

S12. Ans. (c)

Sol. The wrist is a part of hand. Similarly, ankle is a part of foot.

S13. Ans. (b)

Sol. Chair is made of wood. Similarly mirror is made of glass.

S14. Ans. (c)

Sol. the correct sequence of word according to previous one ECNEGILLETNI

S15. Ans. (c)

Sol. the difference according to previous one IPKN.

S16. Ans. (b)

Sol.

$$66-2 = 64 = 8^2$$

$$\text{Similarly, } 38-2 = 36 = 6^2$$

S17. Ans. (a)

Sol. $32-21=11$ Similarly $35-11 = 24$

S18. Ans. (a)

Sol.

$$4 \times 5 + 6 \times 1 = 26$$

$$26^2 = 676 = 6+7+6 = 19$$

$$\text{Similarly } 3215 = 19$$

S19. Ans. (a)

Sol. As Monetary policy related to RBI

Similarly Audit is related to CAG

S20. Ans. (c)

Sol.

$$(1 + 5) \times (6 + 4) = 60$$

$$\text{Similarly } (1 + 5) \times (6 + 2) = 48$$

S21. Ans. (b)

Sol. House sparrow is a common type of bird.

S22. Ans. (d)

Sol. Except SUVY, all others are meaningful words.

S23. Ans. (b)

Sol.

$$J \xrightarrow{+2} L \xrightarrow{+3} O \xrightarrow{+4} S$$

$$G \xrightarrow{+1} H \xrightarrow{+1} I \xrightarrow{+4} M$$

$$H \xrightarrow{+2} J \xrightarrow{+3} M \xrightarrow{+4} Q$$

$$P \xrightarrow{+2} R \xrightarrow{+3} U \xrightarrow{+4} Y$$

S24. Ans. (c)

Sol. Except the number 42 all other numbers are completely divisible by 4.

$$\frac{24}{4} = 6 : \frac{28}{4} = 7 : \frac{56}{4} = 14$$

S25. Ans. (a)

Sol.

Option (1),

$$1 \times 2 = 2$$

$$1 \times 4 = 4$$

$$1 \times 8 = 8$$

Option (2)

$$2 \times 3 = 6$$

$$2 \times 5 = 10$$

$$2 \times 7 = 14$$

Option (3)

$$3 \times 3 = 9$$

$$3 \times 5 = 15$$

$$3 \times 7 = 21$$

Option (4)

$$7 \times 3 = 21$$

$$7 \times 5 = 35$$

$$7 \times 7 = 49$$

12 Months Subscription

SSC CGL KA MAHA PACK

Live Class, Video Course,
Test Series, e-Books

Bilingual (With e-Books)



sscadda.com