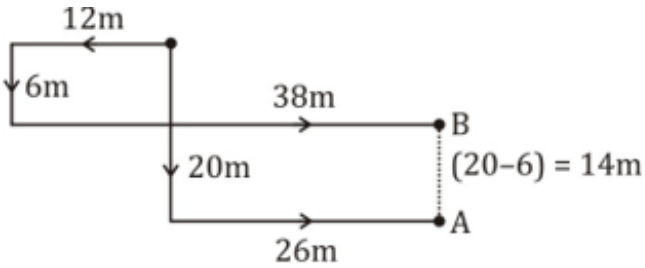


S1. Ans.(c)

Sol. YZXYYXYX

S2. Ans.(b)

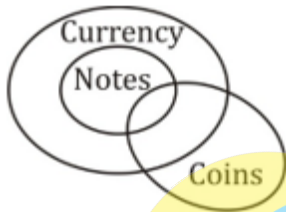
Sol.



A is 14m south with respect to B.

S3. Ans.(b)

Sol.



Only conclusion II follows

S4. Ans.(b)

Sol. FE

S5. Ans.(c)

Sol. -2, -4, -6 series

S6. Ans.(a)

Sol. -5 series

S7. Ans.(d)

Sol. -3, -5 series except (121, 118, 111)

S8. Ans.(d)

sscadda.com

12 Months Subscription

SSC CHSL

KA MAHA PACK

Live Class, Video Course,
Test Series, eBooks

Bilingual (with eBooks)

S9. Ans.(c)

Sol. Opposite faces are



Option (c) can not be formed.

S10. Ans.(c)

Sol.

I	O	T	A
↓	↓	↓	↓
43	67	55	34

S11. Ans.(c)

Sol. +6 Series except (R X C)

S12. Ans.(a)

Sol. 3. Script

2. Scruples

1. Seaman

5. Seat

4. Second

S13. Ans.(b)

Sol. $\div 2$

S14. Ans.(c)

Sol. +1, +2, +2 series

S15. Ans.(a)

Sol. Let Dhruv's age = 1yr

\therefore Esha = $1 + 9 = 10$

Chaman = $1 + 6 = 7$

Bimal = $7 - 2 = 5$

Aman = $5 + 4 = 9$

\therefore Esha > Aman > Chaman > Bimal > Dhruv

10 > 9 > 7 > 5 > 1

\therefore Aman is the second eldest.

S16. Ans.(d)

Sol. Relevent

sscadda.com

TEST SERIES

Bilingual



SSC CHSL 2019-20

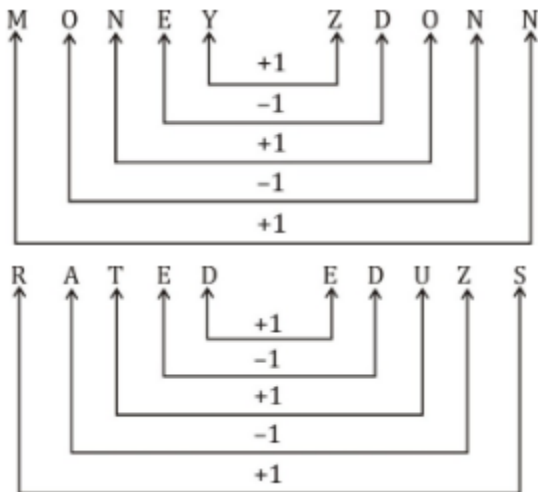
PRIME

250+ TOTAL TESTS

Validity : 12 Months

S17. Ans.(c)

Sol.



S18. Ans.(b)

Sol. $3 \div 12 - 40 + 5 \times 20$

$$\Rightarrow 3 - 12 + 40 \times 5 \div 20$$

$$\Rightarrow 3 - 12 + 10$$

$$\Rightarrow 13 - 12$$

$$\Rightarrow 1$$

S19. Ans.(d)

Sol. $40 \div 8 \times 5 + 15 - 2 = 30$

$$\Rightarrow 40 \div 8 - 5 + 15 \times 2 = 30$$

$$\Rightarrow 5 - 5 + 30 = 30$$

$$\Rightarrow 30 = 30$$

S20. Ans.(c)

Sol.

$$8 \times 9 = 72 \times (-1) = -72$$

$$-9 \times 3 = -27 \times (-1) = 27$$

$$-6 \times 1 = -6 \times (-1) = 6$$

$$-3 \times 6 = -18 \times (-1) = 18$$

S21. Ans.(b)

Sol. As ship is related to water similarly truck is related to road.

S22. Ans.(d)

Sol. Difference between the number is 15.

S23. Ans.(a)

Sol. +1 Pattern

S24. Ans.(d)


Sol. Evaporation is a process

S25. Ans.(d)

Sol. +5 pattern except option (d)

sscadda.com

12 Months Subscription



SSC PREMIUM
Useful for CGL | CHSL | CPO & Others

900+ TESTS