

Formatted - SSC CGL Reasoning. Quiz Advance Level (Solutions)

S1. Ans.(b)

Sol. As ship is related to water similarly truck is related to road.

S2. Ans.(d)

Sol. Difference between the number is 15.

S3. Ans.(a)

Sol. +1 Pattern

S4. Ans.(d)

Sol. Evaporation is a process

S5. Ans.(d)

Sol. +5 pattern except option (d)

S6. Ans.(c)

Sol. Door is made up of wood
and statue is made of clay

S7. Ans.(b)

Sol. $4 \times 1 = 4$
 $3 \times 7 = 21$

S8. Ans.(b)

Sol. +2 series

S9. Ans.(b)

Sol. Justice is not a person, Judge will be correct one.

S10. Ans.(d)

Sol. $11 - 11^2$
 $12 - 12^2$
 $13 - 13^2 = 169 \neq 171$
 $15 - 15^2$

S11. Ans.(c)

Sol. +6 Series except (R X C)

S12. Ans.(a)

Sol. 3. Script

2. Scruples

1. Seaman

5. Seat

4. Second

SSCadda.com

12 Months Subscription

SSC CHSL

KA MAHA PACK

Live Class, Video Course,
Test Series, eBooks

Bilingual (with eBooks)

S13. Ans.(b)

Sol. $\div 2$

S14. Ans.(c)

Sol. +1, +2, +2 series

S15. Ans.(a)

Sol. Let Dhruv's age = 1yr

\therefore Esha = 1 + 9 = 10

Chaman = 1 + 6 = 7

Bimal = 7 - 2 = 5

Aman = 5 + 4 = 9

\therefore Esha > Aman > Chaman > Bimal > Dhruv

10 > 9 > 7 > 5 > 1

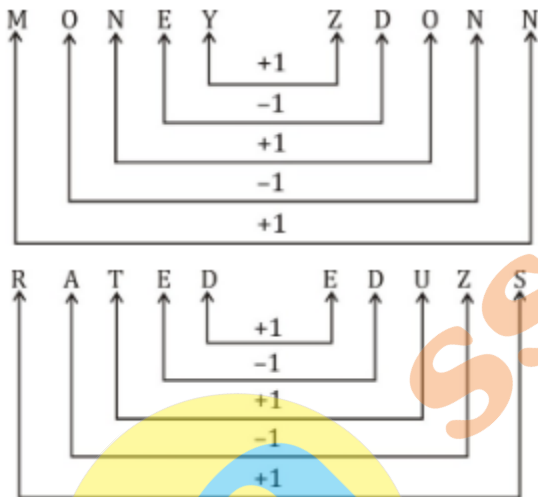
\therefore Aman is the second eldest.

S16. Ans.(d)

Sol. Relevent

S17. Ans.(c)

Sol.



S18. Ans.(b)

Sol. $3 \div 12 - 40 + 5 \times 20$

$\Rightarrow 3 - 12 + 40 \times 5 \div 20$

$\Rightarrow 3 - 12 + 10$

$\Rightarrow 13 - 12$

$\Rightarrow 1$

S19. Ans.(d)

Sol. $40 \div 8 \times 5 + 15 - 2 = 30$

$\Rightarrow 40 \div 8 - 5 + 15 \times 2 = 30$

$\Rightarrow 5 - 5 + 30 = 30$

$\Rightarrow 30 = 30$

TEST SERIES
Bilingual



SSC CHSL 2019-20
PRIME
250+ TOTAL TESTS

Validity : 12 Months

S20. Ans.(c)

Sol. $8 \times 9 = 72 \times (-1) = -72$

$-9 \times 3 = -27 \times (-1) = 27$

$-6 \times 1 = -6 \times (-1) = 6$

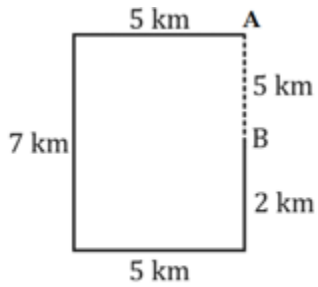
$-3 \times 6 = -18 \times (-1) = 18$

S21. Ans.(c)

Sol. XYYYYYY

S22. Ans.(a)

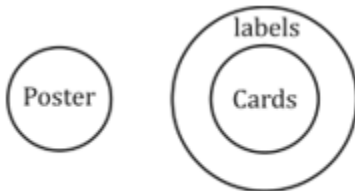
Sol.



AB = 5 km south

S23. Ans.(a)

Sol.



Only Conclusion I follows

S24. Ans.(b)

Sol. IB

S25. Ans.(a)

Sol. -1 Series



TEST SERIES

English



SSC CPO

TIER-II

10 Full-Length Mocks

Validity : 12 Months

SSCadda.com